

C764i Integrated LCD Screen Option

Cardio Theater Integrated Bracket Assembly Instructions

Table of Contents

1	Before You Begin	3
	Obtaining Service	3
	Unpacking the Equipment	3
	Important Safety Instructions	3
2	Preparations	4
	Required Tools	4
	Installation Requirements	4
	Assembly Tips	4
3	Install the Bracket Assembly	5
4	Feed the Cable through the Base	9
5	Attach the LCD Screen	11
6	Reinstall the Bracket Cover	14
7	Connect the Controller and the Cables	15

1

Before You Begin

Thank you for adding the Precor Cardio Theater Integrated LCD Screen Option to your C764i Climber. This option will add a new dimension to your workout.

For proper installation, please read this guide thoroughly and follow the assembly instructions.

Obtaining Service

For information about product operation or service, see the Precor web site at www.precor.com. Should you need more information regarding customer support numbers or a list of Precor authorized service centers, visit the Precor website at www.precor.com/contact.

Unpacking the Equipment

The Cardio Theater Integrated Bracket for the LCD Screen is shipped in one box with the following items:

- Bracket assembly
- Power extension cable
- Four Phillips-head screws
- Rubber adapter mounts

If any items are missing, contact the dealer from whom you purchased the unit or call a Precor Commercial Products Customer Support Representative.

Important: To complete the assembly of the Cardio Theater Integrated Bracket, you need the Cardio Theater LCD Screen Option, which is shipped in a separate box. Included with the screen are two cables (coaxial/power cable and controller cable), which you will need during the assembly process.

Important Safety Instructions

When using exercise equipment, basic precautions should always be taken, including the following:

- **Read all instructions before using the unit.** These instructions are written to ensure your safety and to protect the equipment.
- **Use the equipment only for its intended purpose.** Do not use accessory attachments that are not recommended by the manufacturer, as such attachments might cause injuries.
- **Always check the unit before each use.** Make sure that all fasteners and cables are secure and in good working condition.

Important: The important safety instructions written here reflect a portion of what is found in the Precor climber owner's manuals. Please review and follow the safety instructions found there.

IMPORTANT SAFETY INSTRUCTIONS

2

Preparations

Important: To attach the Cardio Theater Integrated Bracket, ask another adult for help. Do not attempt the assembly by yourself.

Remember to read and follow the instructions in this guide. If you do not assemble the Cardio Theater Integrated Bracket according to these guidelines, you could void the Precor Limited Warranty.

Required Tools

Obtain these tools before assembly:

- Standard hex key set
- Standard socket set
- ½-inch box wrench or crescent wrench
- Flat head screwdriver
- Phillips-head screwdriver
- Needle-nose pliers
- Standard torque wrench

Installation Requirements

Review these installation requirements before assembly:

- The Cardio Theater Integrated Bracket is built to VESA MIS-D, 100/75 standard interface specifications.
- Provide ample space around the climber. Open space around the unit allows for easier access and installation.
- Open the box and assemble components in the sequence presented in this guide.
- Leave room for adjustments. Tighten fasteners (bolts, nuts, and screws) so the unit is stable, but leave room for adjustments. Do not fully tighten fasteners until instructed in the assembly steps to do so.

Assembly Tips

- Read all the notes on each page before completing that step.
- While you may be able to assemble the Cardio Theater Bracket using the illustrations only, important safety notes and other tips are included in the text.

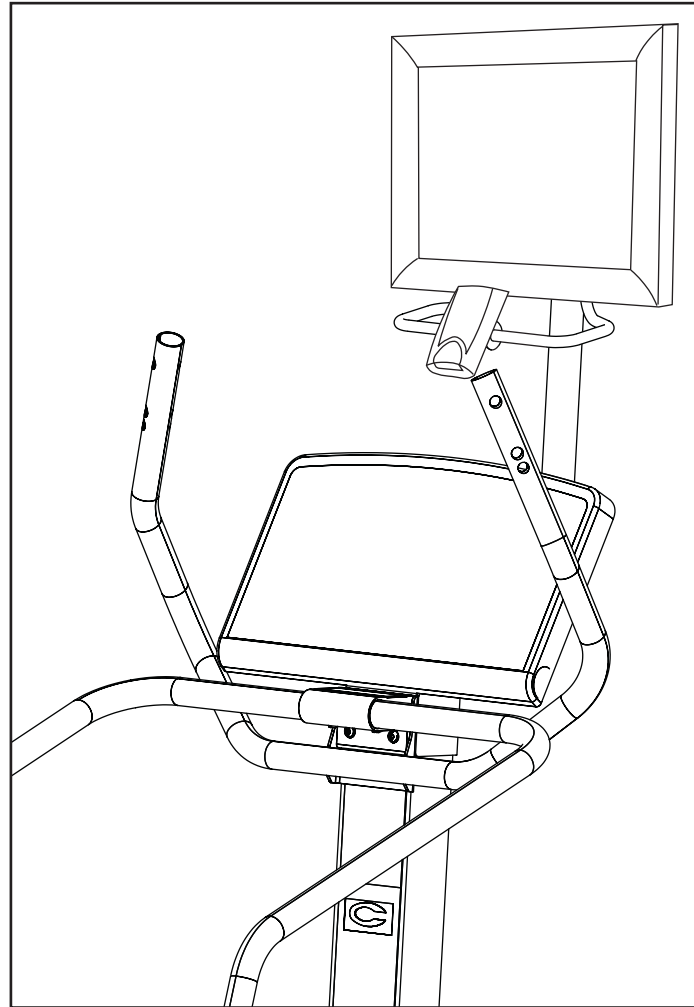
The assembly of the Cardio Theater Bracket takes about ½ hour to complete.

3

Install the Bracket Assembly

The illustration shows how the Cardio Theater Bracket will look after you install it on the climber.

CAUTION: Turn OFF the climber and remove the power plug from its power source before proceeding with the assembly.

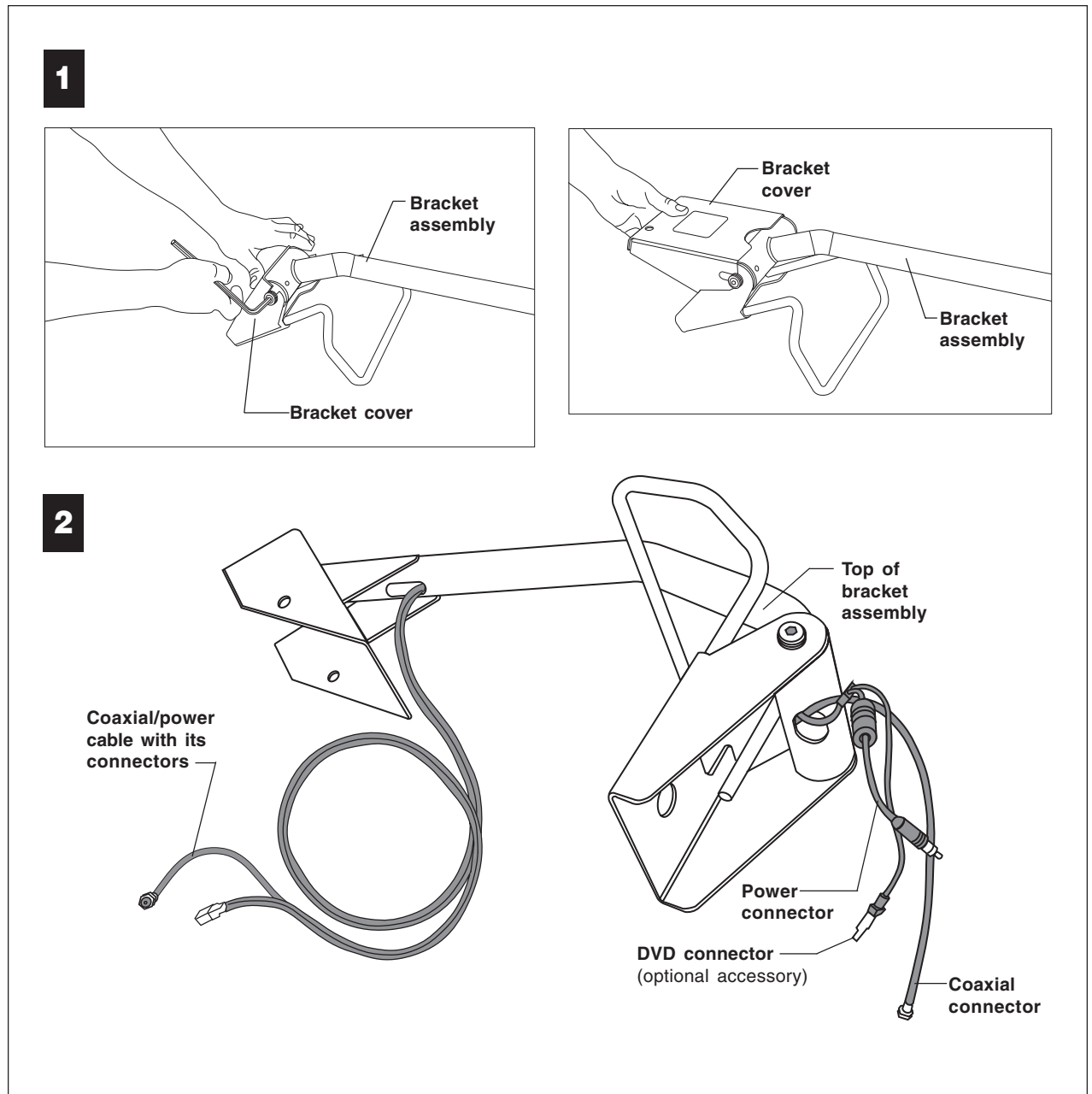


1. Remove the bracket cover.

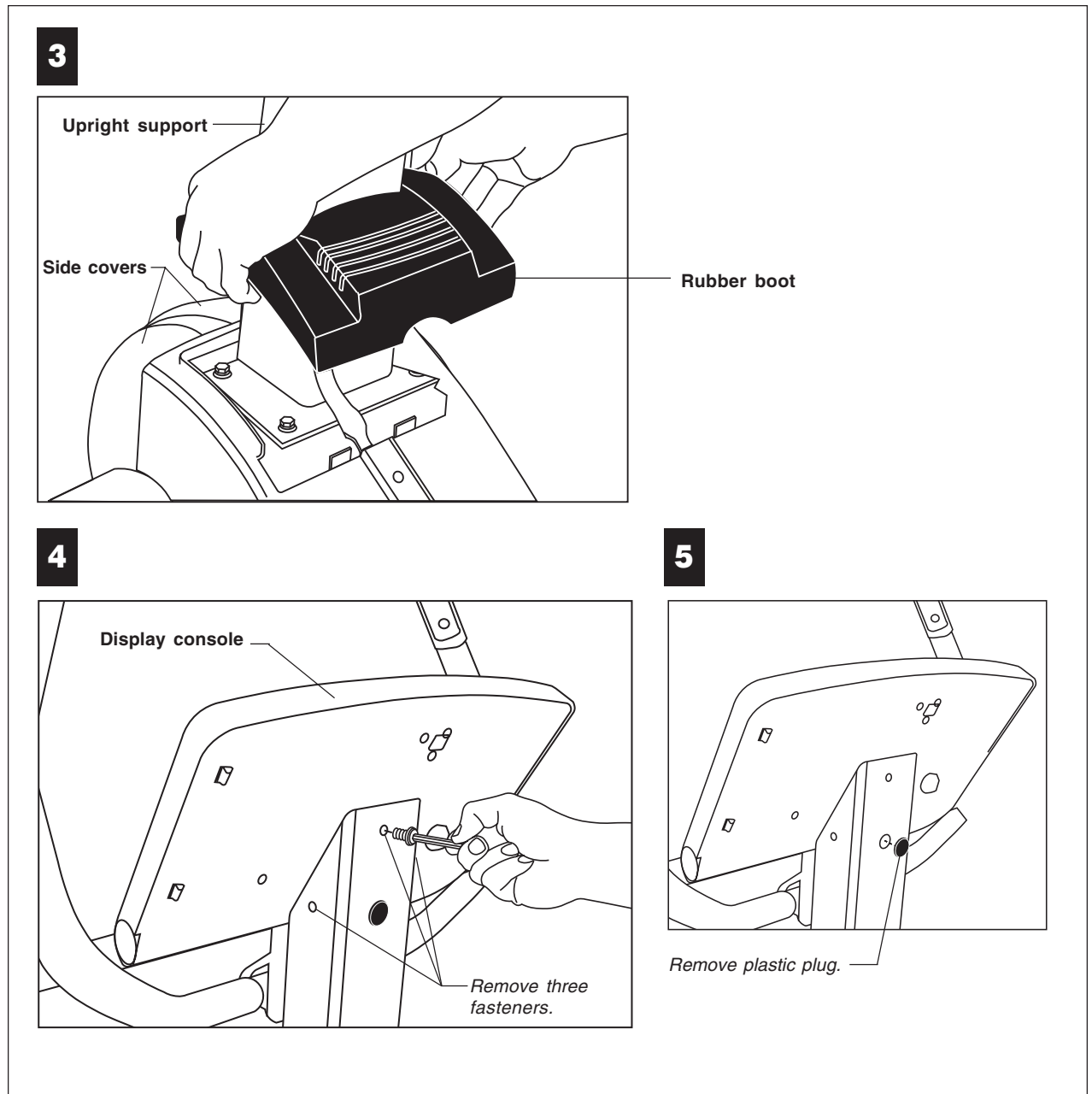
Loosen the bolts on the pivot tube using a $\frac{7}{32}$ -inch hex key. Pull the bracket cover away from the assembly. Set it aside.

2. Feed the coaxial/power cable with its three connectors through the bracket assembly. Set the bracket assembly aside.

Important: Make sure you feed the cable so the end with the three connectors appears out of the top of the bracket assembly.



3. Pull up the rubber boot along the upright support until you have about a two foot gap between the boot and side covers.
4. Remove the three fasteners that secure the display console to the upright support. Rest the display console between the handlebars.
5. Remove the plastic plug in the upright support.



6. Feed the coaxial/power cable and its connectors through the upright support.

Ask your assistant to hold the bracket assembly close while you insert the cable and its connectors into the upper hole on the upright support. Slide the cable down until you can access the connectors through the lower hole.

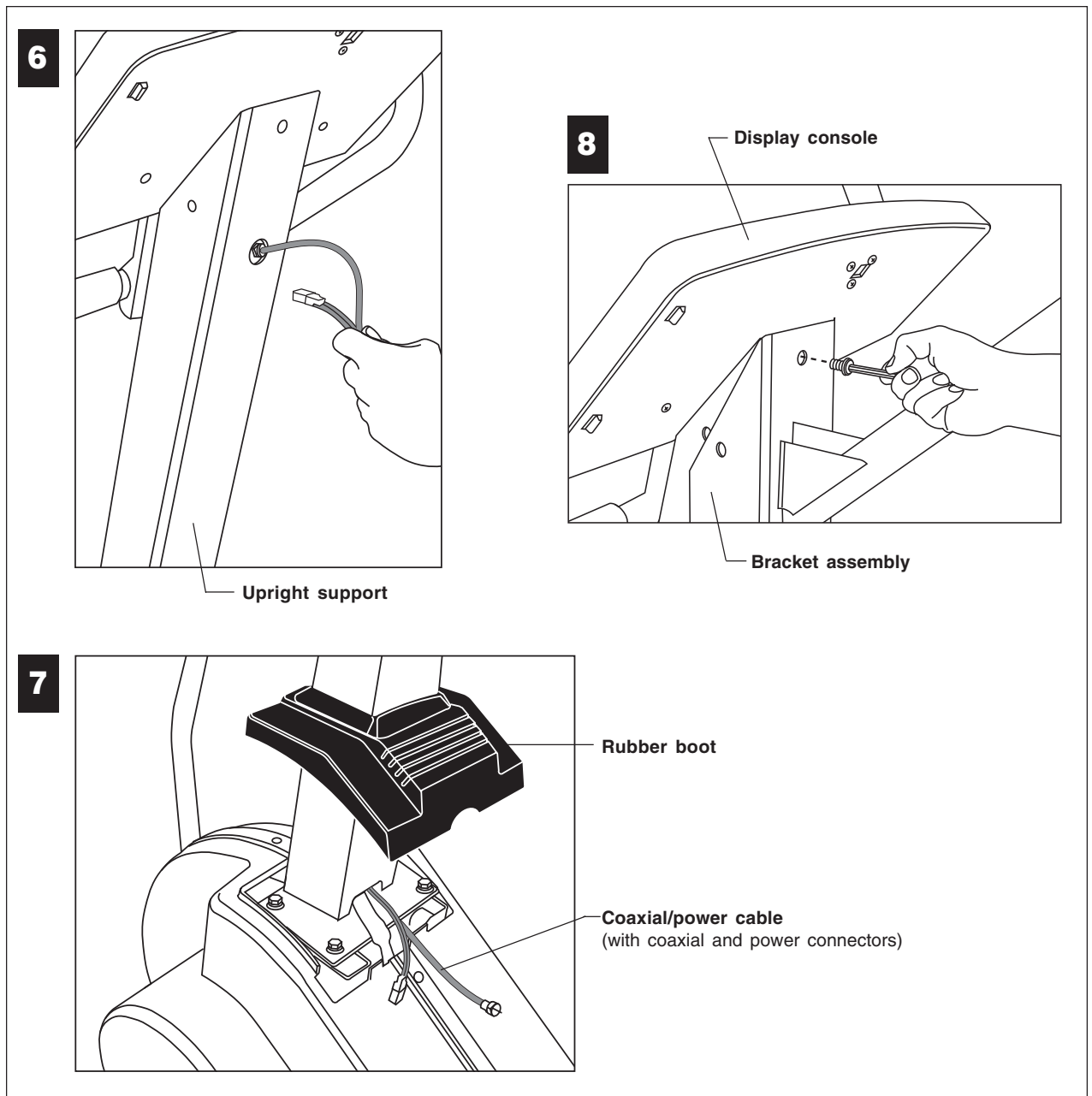
Note: You may need to move the ribbon cable inside the upright support to gain clear access.

7. Pull the cable and its connectors out of the lower hole. If needed, use a needle-nose pliers to grasp the cable.

Note: While you pull about 3 feet (1 meter) of cable out of the lower hole ask your assistant to align the bracket assembly with the mounting fasteners on the upright support. Make sure the bracket assembly slides into place along the outside of the upright support.

8. Attach the bracket assembly and replace the fasteners.

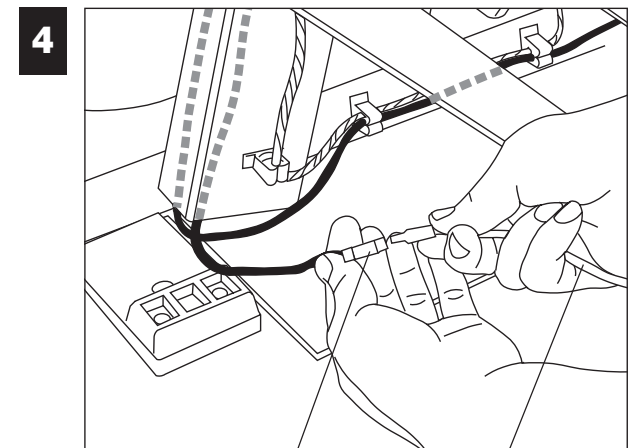
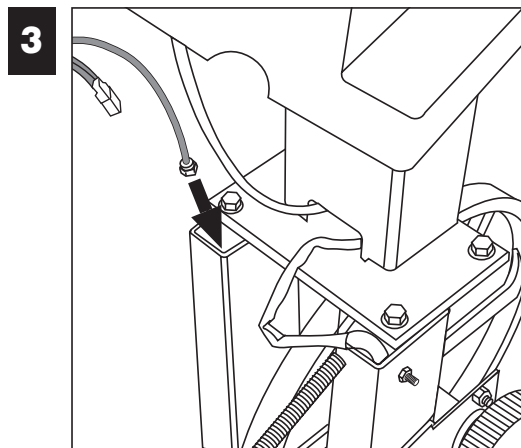
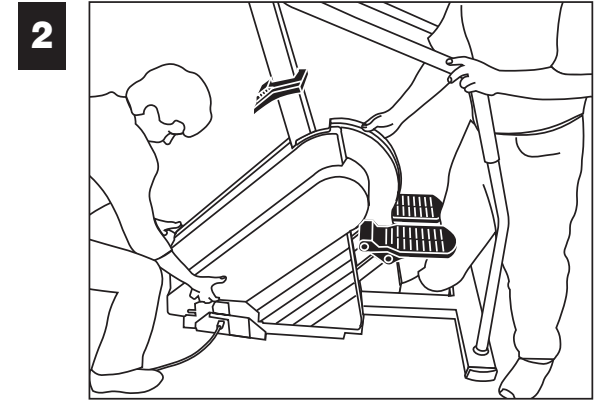
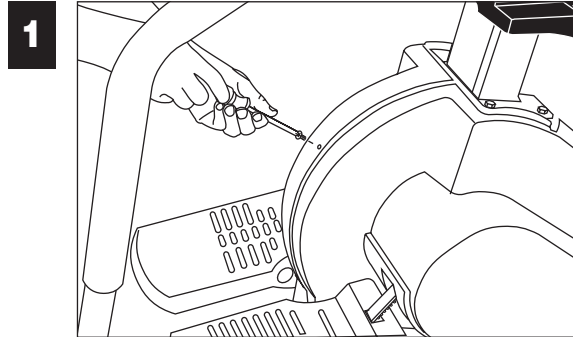
Ask your assistant to continue holding the bracket assembly, while you replace the three fasteners removed in step 4. Securely tighten all three screws using a $\frac{5}{32}$ -inch hex key.



4

Feed the Cable through the Base

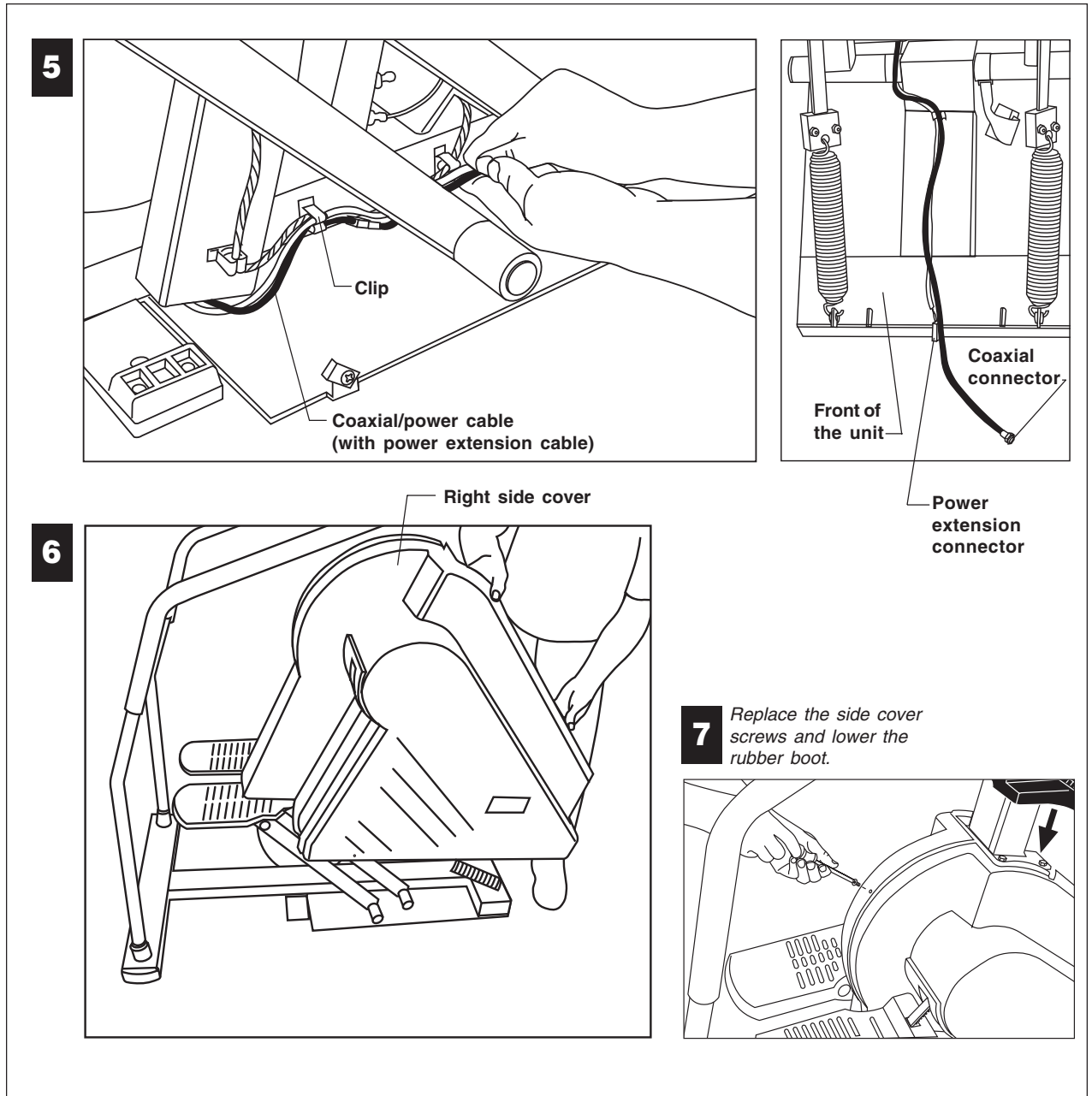
1. Use a Phillips-head screwdriver to remove the 16 screws that hold the side covers on the unit. Set the screws aside.
2. Slide both side covers up and away from the base of the unit.
3. Feed the coaxial/power cable and its connectors into the internal upright frame tube that does not contain the ribbon cable.
4. Pull the cable and both connectors out from the base of the tube and attach the power extension cable to the power connector.



Power connector

Power extension cable

5. Snap the coaxial/power cable into the existing cable clips as you feed it along the base and out the front of the unit.
6. Reassemble the side covers. As you face the display, the right side cover must be placed into position first. The left side cover fits into it.
Note: Check the connectors on the coaxial/power cable to make sure they are easily accessible.
7. Replace the 16 screws removed in step 1 and reposition the rubber boot.



5

Attach the LCD Screen

Important: The screen spacer is used only for the Cardio Theater PVS4/5/15 LCD Screen.

1. To protect the LCD Screen for the next few steps, place it screen side down on a clean work surface.

Important: Use proper materials to protect the LCD Screen while you remove the plastic cover and metal mounting bracket from the backside of the LCD Screen.

2. Remove the plastic cover.

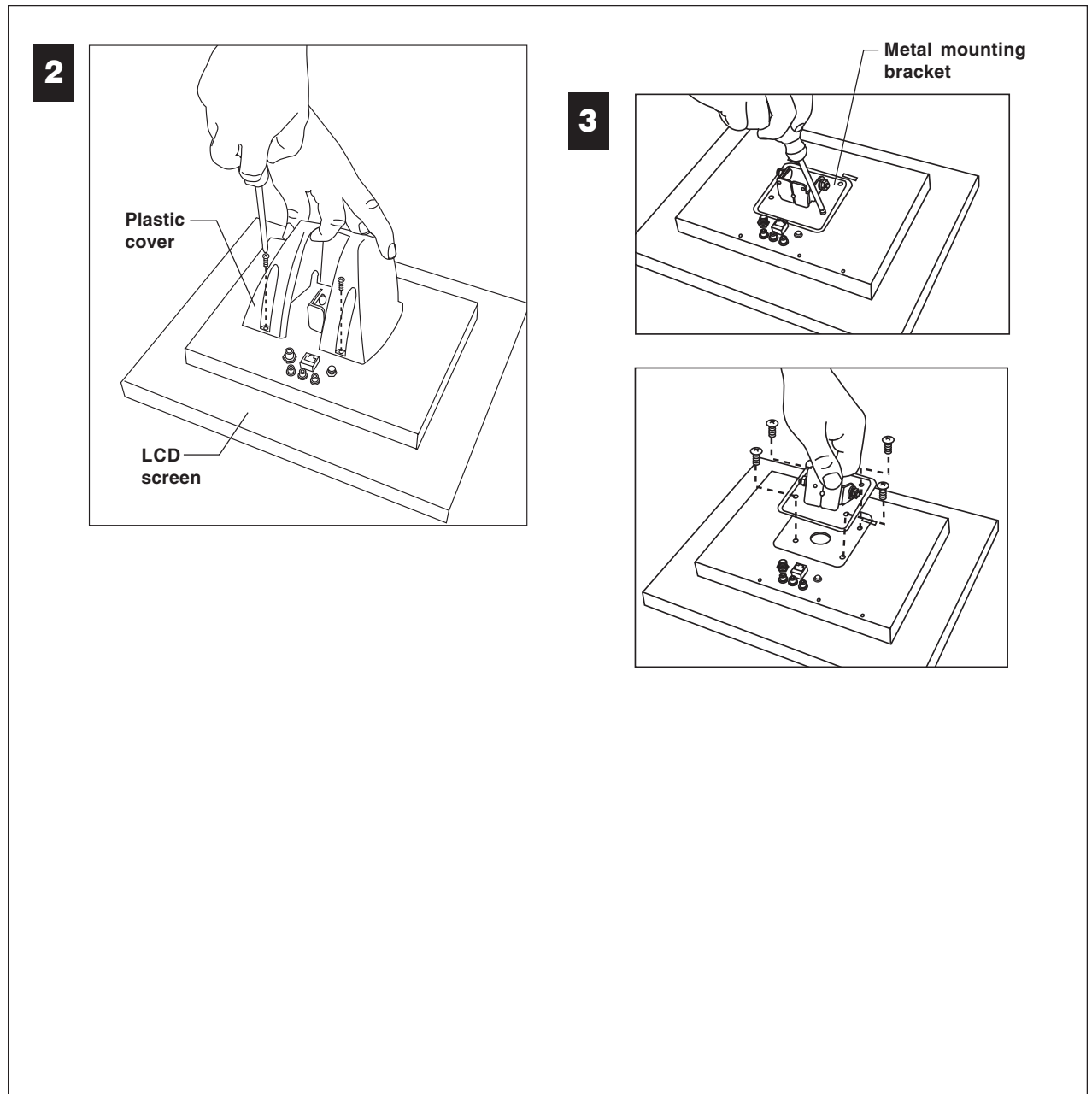
Use a Phillips-head screwdriver to remove the two screws holding the plastic cover to the LCD Screen. Discard the plastic cover and the screws.

3. Remove the metal mounting bracket.

Remove the four screws securing the metal mounting bracket. Discard the mounting bracket and the four screws.

4. Retrieve four new Phillips-head screws from the bracket assembly package.

Note: Use the longer screws if attaching the screen spacer with the PVS4/5/15 LCD Screen.



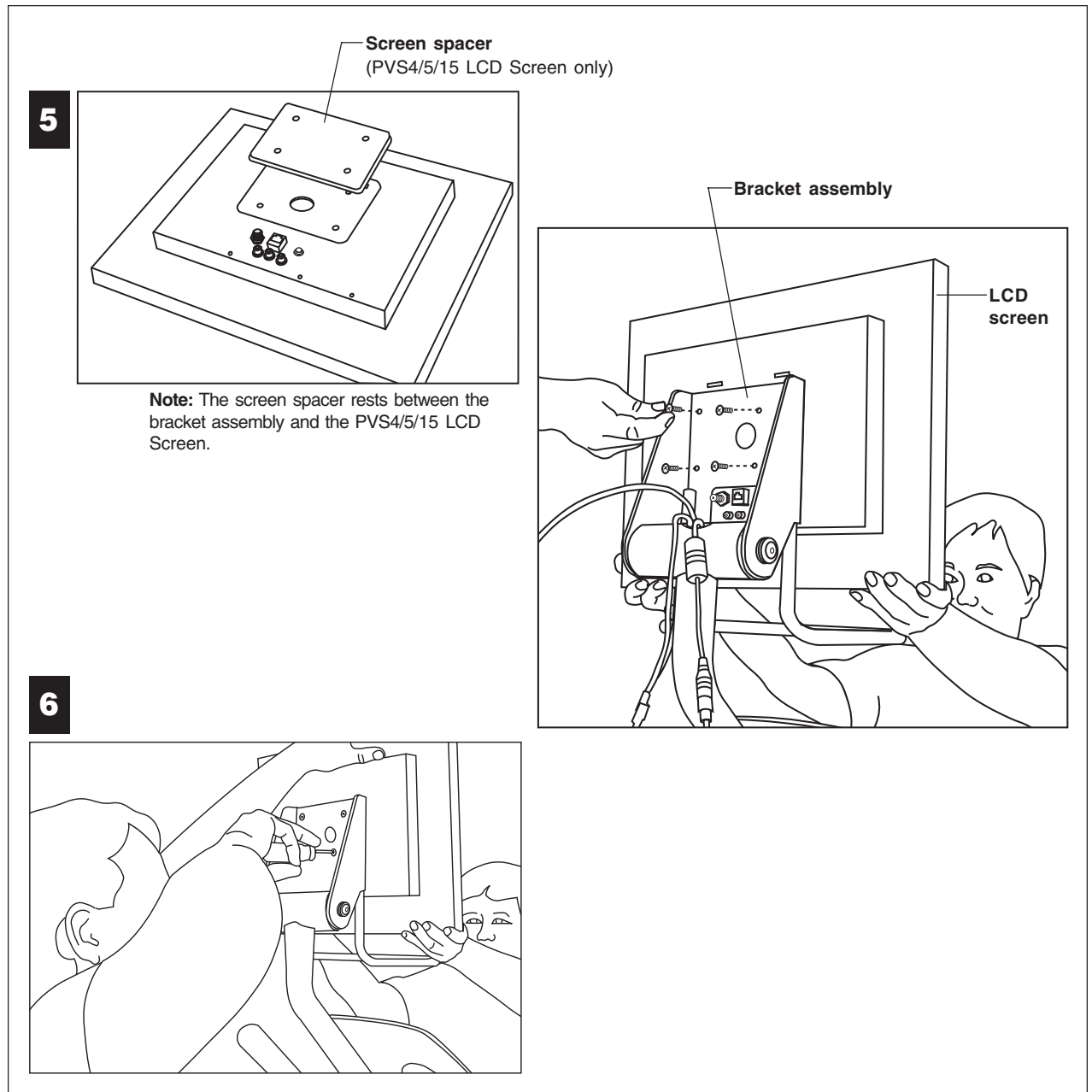
5. Attach the LCD Screen to the bracket assembly.

Ask your assistant for help. Have your assistant hold the LCD Screen against the bracket assembly while you align the mounting holes. Insert all four screws and finger tighten.

Important: The screen spacer is used only for the Cardio Theater PVS4/5/15 LCD Screen. You will need to insert the screen spacer between the screen and bracket to ensure a proper fit.

6. Fully tighten the bottom two screws.

Use a Phillips-head screwdriver to fully tighten the bottom two screws. Leave the top two screws finger tight.



7. Connect the coaxial/power cable connectors to the LCD Screen.

Attach the connectors – coaxial, power, and DVD – to the back of the LCD Screen.

Note: If you do not have the DVD option, you can feed the DVD cable back into the pivot tube compartment so it is not hanging out.

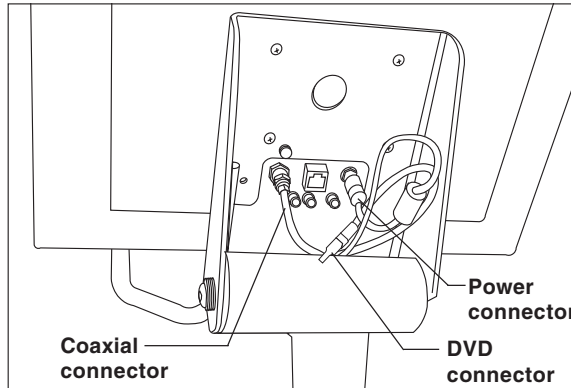
8. Connect the controller cable.

Feed the controller cable through the front side of the pivot tube and attach it to the back of the LCD Screen. You will hear a definite click as the connector snaps into place inside its receptacle.

Note: For more information about cable connections, refer to the Cardio Theater LCD Screen manual that was packaged with the product.

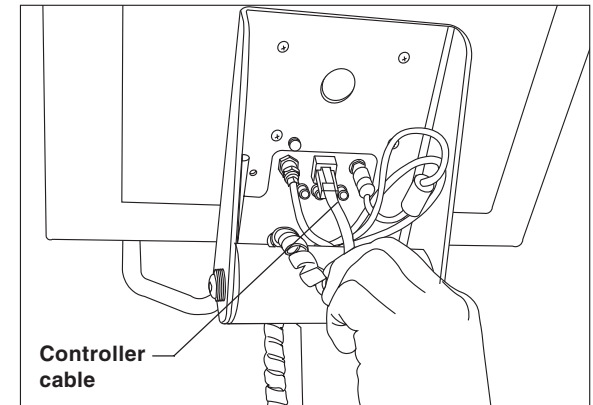
Important: If you purchased the DVD Integrated Bracket Option, you will want to install that option before you continue to the next section. Refer to the DVD Integrated Bracket Option Guide for assembly instructions.

7



Note: If you do not have the DVD option, you can feed the DVD cable back into the pivot tube compartment so it is not hanging out.

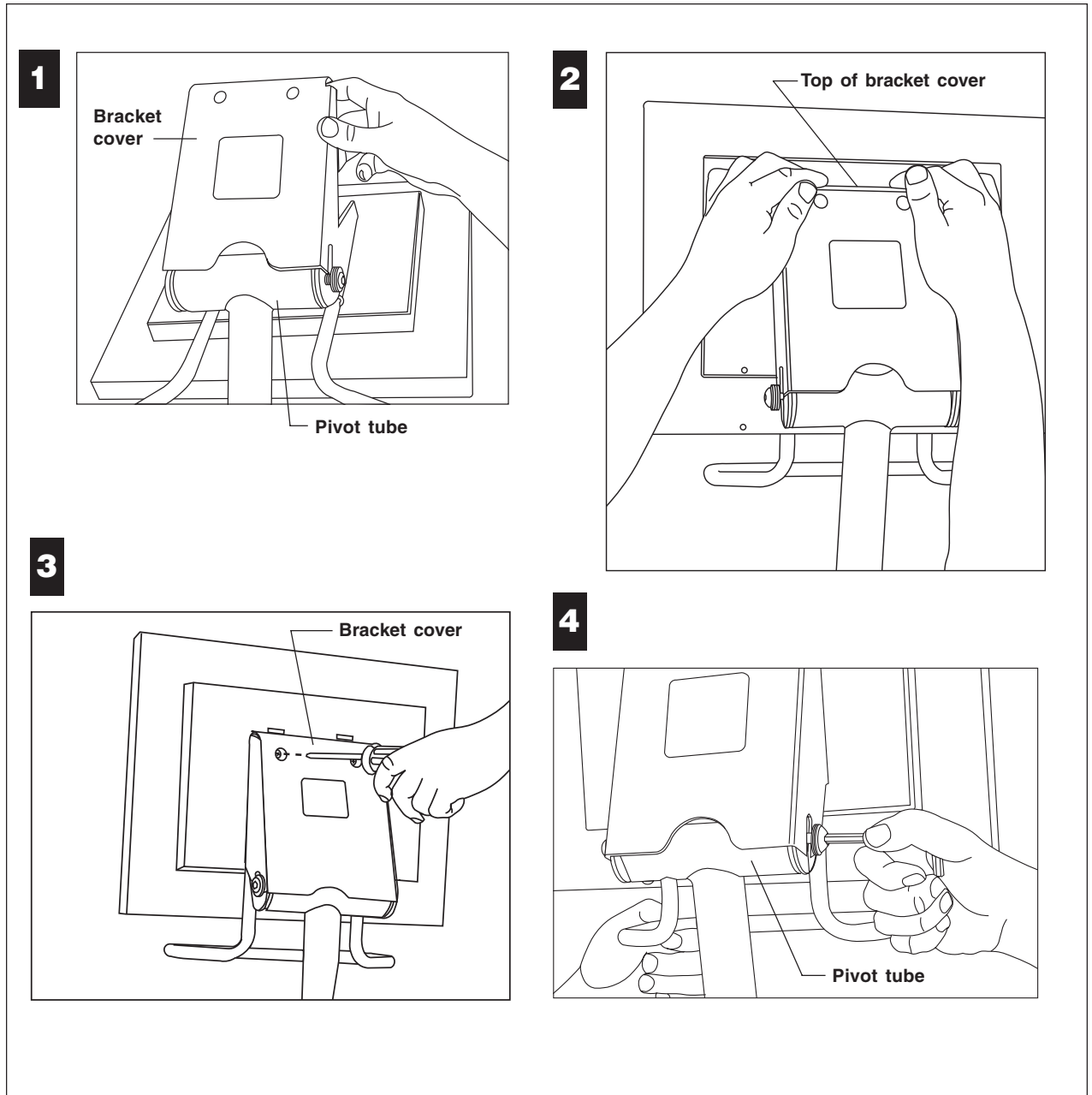
8



6

Reinstall the Bracket Cover

1. Prepare the fasteners for reinstalling the bracket cover.
Push the washers and bearings toward the bolt heads so there is room for the bracket cover to slide in flush against the pivot tube.
Important: Keep the bracket cover flanges flush with the pivot tube. The washers and bearings need to remain on the outside of the bracket flanges.
2. Hold the bracket cover above the pivot tube. Apply pressure to the top of the bracket cover while you slide it into position.
3. Tighten the two top screws on the back of the LCD Screen.
Use a Phillips-head screwdriver to fully tighten the top two screws on the back of the LCD Screen. Access holes have been drilled through the bracket cover.
4. Secure the bracket cover.
Using a torque wrench and a $\frac{7}{32}$ -inch hex key, retighten the two pivot tube fasteners to 120 in-lbs.

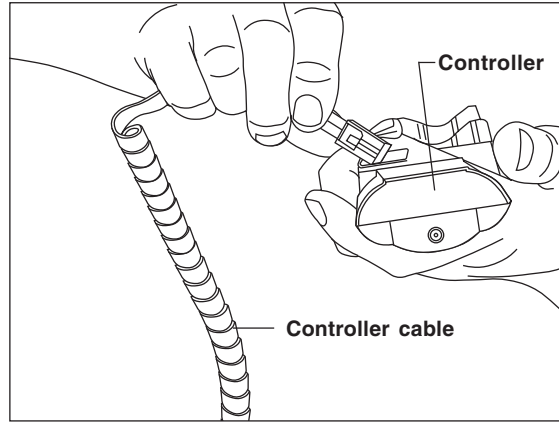


7

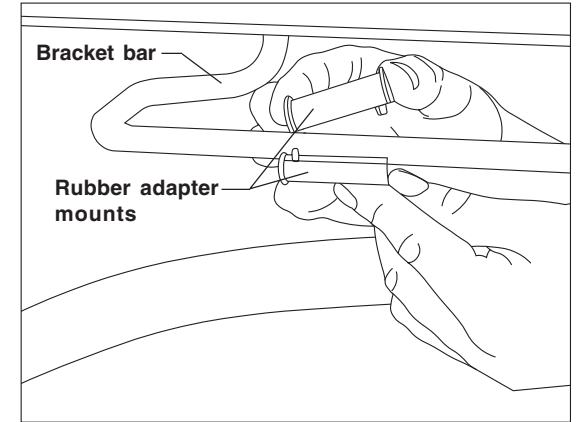
Connect the Controller and the Cables

Note: Retrieve the rubber adapter mounts from the bracket assembly package. Retrieve the controller from the LCD Screen package.

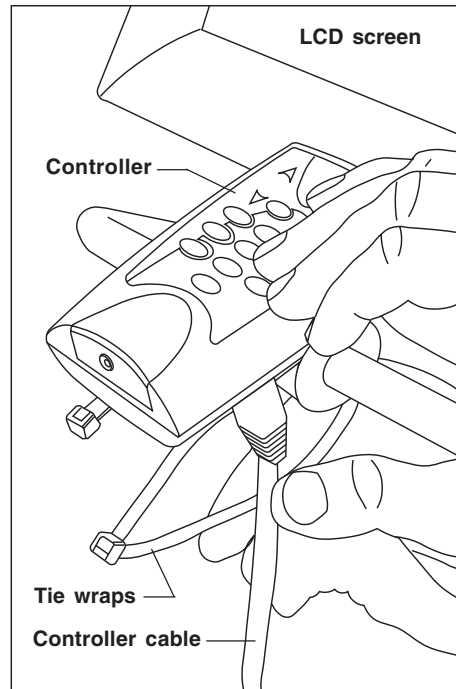
1. Connect the controller cable to the controller.
A definite click is heard when the connector snaps into place inside its receptacle.
2. Place the rubber adapter mounts around the center of the bracket bar.
3. Secure the controller.
Use two tie wraps to secure the controller to the rubber adapter mounts and bracket bar.
4. At the base of the climber, plug the power and coaxial connectors on the coaxial/power cable into the strip designed for Cardio Theater use.
Note: For more information, refer to the Cardio Theater LCD Screen manual.



1



2



3



Precor Incorporated
20031 142nd Avenue NE
P.O. Box 7202
Woodinville, WA USA 98072-4002

Precor and Cardio Theater are registered trademarks of Precor Incorporated.
Specifications subject to change without notice.
Copyright 2005 Precor Incorporated.
Precor web site: www.precor.com

NOTICE:

Precor is widely recognized for its innovative, award winning designs of exercise equipment. Precor aggressively seeks U.S. and foreign patents for both the mechanical construction and the visual aspects of its product design. Any party contemplating the use of Precor's product designs is hereby forewarned that Precor considers the unauthorized appropriation of its proprietary rights to be a very serious matter. Precor will vigorously pursue all unauthorized appropriation of its proprietary rights.

Cardio Theater Integrated Bracket Assembly Lit Kit # CX48256-102
C764i-series
15 June 2005